



Stationary Sensor

This is one of the most versatile of all Exline Temperature Sensors. It is designed to detect excessive temperature where protection is necessary or desired on stationary parts or areas.

A fuse metal plug in the brass sensor is compounded of specific quantities of special metal alloys which melt at a predetermined temperature. When the fuse plug melts a pressure drop in the pneumatic or hydraulic control system results. This pressure drop can be used to shut down the equipment or sound an alarm.

- Total Reliability
- No Maintenance
- No Calibration
- No Deterioration
- Wide Range of Temperatures
- Reusable
- Device can be reloaded quickly and easily at our factory.

How to Order

Determine length of sensor and temperature desired. Show part number and temperature.

Example: #300208-205°

Standard Sizes in Stock

Length (L)	Part No.	Length (L)	Part No.
1.0"	300202	5.0"	300210
1.5"	300203	5.5"	300211
2.5"	300205	6.0"	300212
3.0"	300206	6.5"	300213
3.5"	300207	7.0"	300214
4.0"	300208	7.5"	300215
4.5"	300209	8.0"	300216

Special sizes available on request. Allow for additional delivery time.

Available Fuse-Metal Plug

Melting Temps

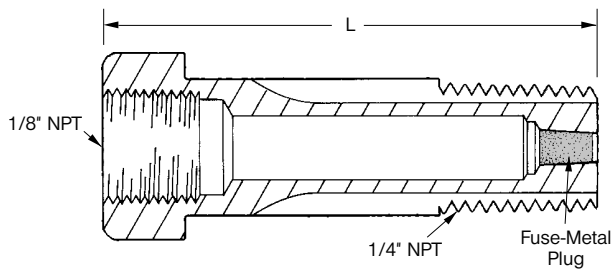
117°F	162°F	217°F	281°F	361°F
136°F	178°F	228°F	291°F	374°F
142°F	198°F	243°F	310°F	390°F
150°F	205°F	255°F	349°F	

Information concerning special temperatures available on request.

Typical Areas Protected by the Stationary Sensor

- Bearings - Main, Pedestal; etc.
- Slides - (Compressor & Power)
- Packing Cases
- Fuel Injection Headers
- Jacketwater*
- Discharge Gas*
- Oil Sump*

*In conjunction with thermowell.



Details of Installation

Bearing: See Fig. B.

Usually requires drilling and tapping a hole through the cap. This is done with a step drill so dimensions can be held as shown in Fig. B. Insert sensor and tighten to maximum of 8-10 foot-pounds. Check cap to ensure approximately 1/8" clearance between bottom of sensor and back of insert.

Packing Case, Slides, Cylinder Liner

Drill 7/16" hole 1" deep. Tap 1/4" NPT. Insert sensor and tighten to maximum of 8-10 foot-pounds.

Caution: Machine slots must be kept free of any foreign material that would keep sensor from venting. Use no sealants on the external pipe threads.

All units then can be piped to control air header using tubing and various fittings. Heavy wall brass or stainless steel tubing is recommended.

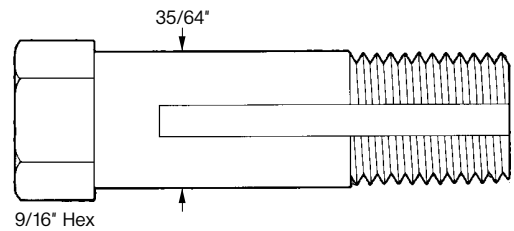
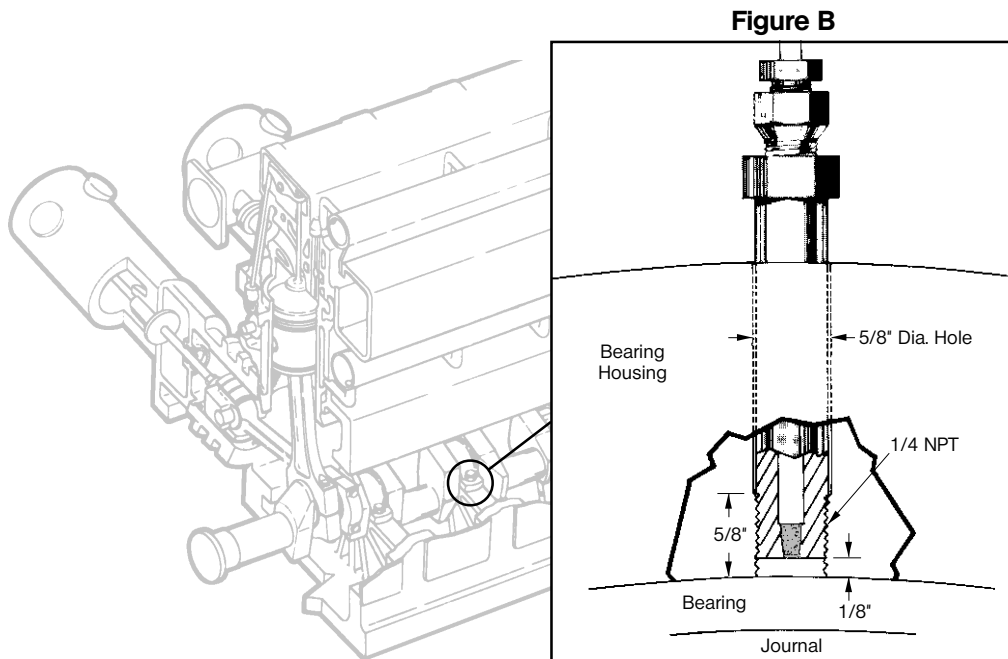


Figure A



Typical Bearing Installation