



Electronic Trip Switch

The Exline Trip Switch can be used to sound an alarm or initiate shutdown. It is available for initial installation and as a replacement for existing trip valve installations. Normally no mounting or bracket changes are required on replacements, and the switch will work with any make or model tripping device. Superior design virtually eliminates maintenance.

Applications

Exline Trip Switches are used to protect moving, rotating, or oscillating components fitted with Exline Temperature Sensors. When tripped by sensors, these switches can automatically shut down equipment or trigger an alarm.

When used in engines or compressors, the unique body design permits crankcase oil “flow-through” to minimize carbon and varnish buildup in the piston area. In hazardous locations, the Trip Switch must only be used with intrinsically safe controls.

Easy Installation

The Trip Switch mounts directly in line with an Exline Striker Sensor, as in the illustration. Proper brackets, fittings, and other hardware can be supplied by Exline for your particular installation. We can also provide and install complete systems, including monitoring panels. Contact your Exline representative for more information.

To Order

The Trip Switch can handle up to a 15 amp load and comes “normally closed.” Specify if you want a “normally open” configuration. TFE-coated lead wires are either encased in a flexible braided stainless steel overlay or come ready to be installed in metal conduit. Determine the upper temperature limit desired. Then select an appropriate Striker Sensor. See “Striker Sensor” for standard models and temperatures.

To order the Trip Switch, specify one of the following

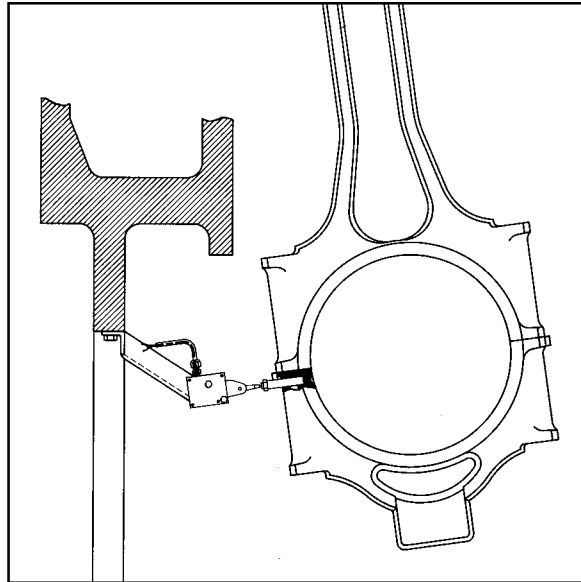
Part No. 303150

Trip Switch with braid protected TFE-coated wires.

Part No. 303250

Trip Switch for use with metal conduit.

*Refer to
Striker Sensor page 4.*



Typical Trip Switch Installation